

Hussmann Dry Display Corners

A dry addition for fitting between any chilled display cabinets with a pronounced front which helps to promote the product on display.



Dry Display Corners

Introduction

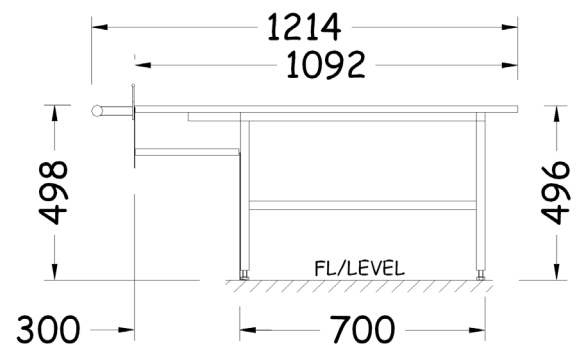
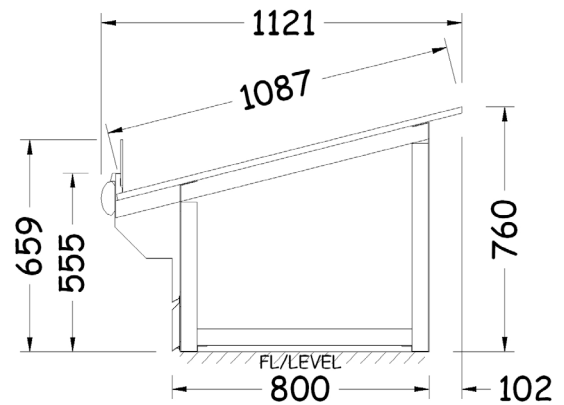
The display corner is a dry addition for fitting between any chilled display cabinets. The pronounced front helps to promote the product on display. The standard display has 3 levels, but this can be changed depending on the merchandising requirement. The quality finish allows for higher value products to be promoted on a rotation or permanent display.

The corner can be made to match any cabinet model, with full base front, or to match a pedestal style line-up. Angles are variable between 30deg and 90 degrees.

Standard Features and Options

	Standard	Optional
External Brushed Stainless Steel Panels	✓	
External Painted Panels	✓	
Brushed Stainless Steel Tube Bumper	✓	
Melteca Shelves	✓	
Stainless Rod Fences	✓	

Dimensions



Dimensions and Features are subject to change. Please obtain current information prior to order confirmation.

Note: We reserve the right to change or revise specifications and product design in connection with any feature of our products. Such changes do not entitle the buyer to corresponding changes, improvements, additions or replacements for equipment previously sold or shipped.