

HUSSMANN®

Specialty Products

Hussmann Live Self Serve Mussel Case (NEGCH ssm)

A refrigerated shellfish case where the shellfish are scooped off a stainless steel deck.



NEGCH SSM - Self Serve Live Mussel Cabinet

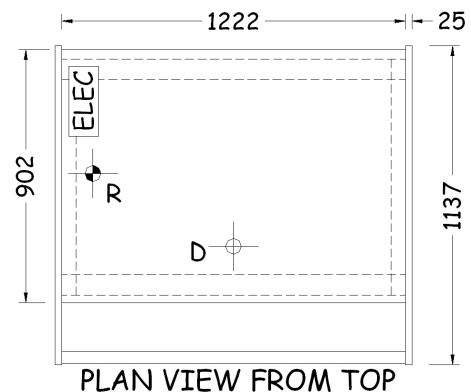
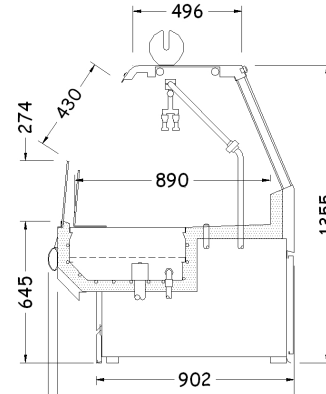
Introduction

The NEGCH-SSM is a refrigerated shellfish case. It has a gravity coil, and can be either remote or integral. The case is self-serve, and the shellfish are scooped up off the stainless steel deck.

The shellfish are kept wet through overhead nozzles, which can be switched off for service.

These cases can be made to various lengths.

Dimensions



Standard Features and Options

	Standard	Optional
Large Rear Sliding Doors	✓	
Self Serve	✓	
Rear Control Access	✓	
Stainless Steel Dividers		✓
Bright Stainless or View Ends		✓
External Painted Panels	✓	
External Stainless Panels		✓
Stainless Canopy	✓	
Tong Holder		✓
Paper Bag Dispenser		✓
Gravity Coil	✓	
Black Vinyl Cart Bumper	✓	
Canopy Lighting	✓	
Solar Thermometer	✓	
Choice of Colour		✓
Suction Stop Installed		✓

Also Available

NEGCH (Deli)
 NEGCH (Fish)
 NEGCH (Hot)

Dimensions and Features are subject to change. Please obtain current information prior to order confirmation.

Note: We reserve the right to change or revise specifications and product design in connection with any feature of our products. Such changes do not entitle the buyer to corresponding changes, improvements, additions or replacements for equipment previously sold or shipped.