

HUSSMANN®

Specialty Products

Hussmann Mobile Mussel Cabinet (MMI)

A self-serve shellfish case with a piped tub which keeps shellfish wet through overhead nozzles.

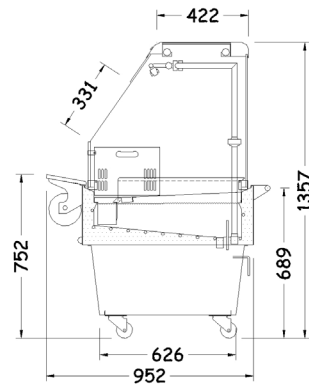


MMI - Mobile Mussel Cabinet

Introduction

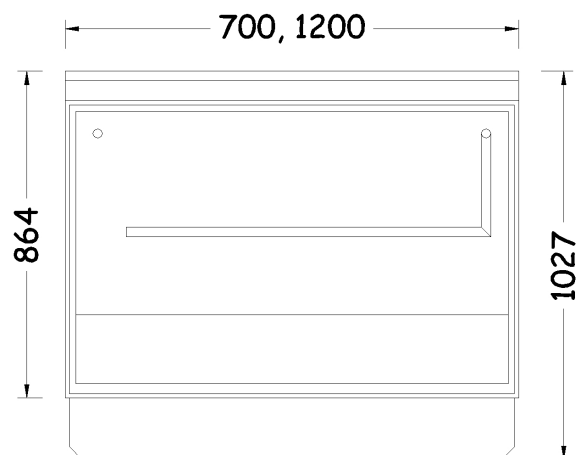
The MMI has a piped tub and is supplied with an integral condensing unit. The case is self-serve, and the shellfish are scooped up off the stainless steel deck. The shellfish are kept wet through overhead nozzles, which can be switched off, by the customer, for service. The sides and back are toughened glass for increased visibility, and allows the case to be in any position in the store.

Dimensions



Standard Features and Options

	Standard	Optional
Self Serve	✓	
External Painted Panels	✓	
External Stainless Steel Panels		✓
Stainless Steel Canopy	✓	
Plastic Bag Dispenser		✓
Canopy Lighting	✓	
Black Vinyl Bumper to 3 sides	✓	
Choice of Colours		✓



Dimensions and Features are subject to change. Please obtain current information prior to order confirmation.

Note: We reserve the right to change or revise specifications and product design in connection with any feature of our products. Such changes do not entitle the buyer to corresponding changes, improvements, additions or replacements for equipment previously sold or shipped.