

HUSSMANN®

Specialty Products

Hussmann Self Service Hot Cabinet (NEGCH Hot)

A single-deck self-serve hot food case suitable for packaged foods, especially cooked chickens.



NEGCH Hot Self Serve Hot Cabinet

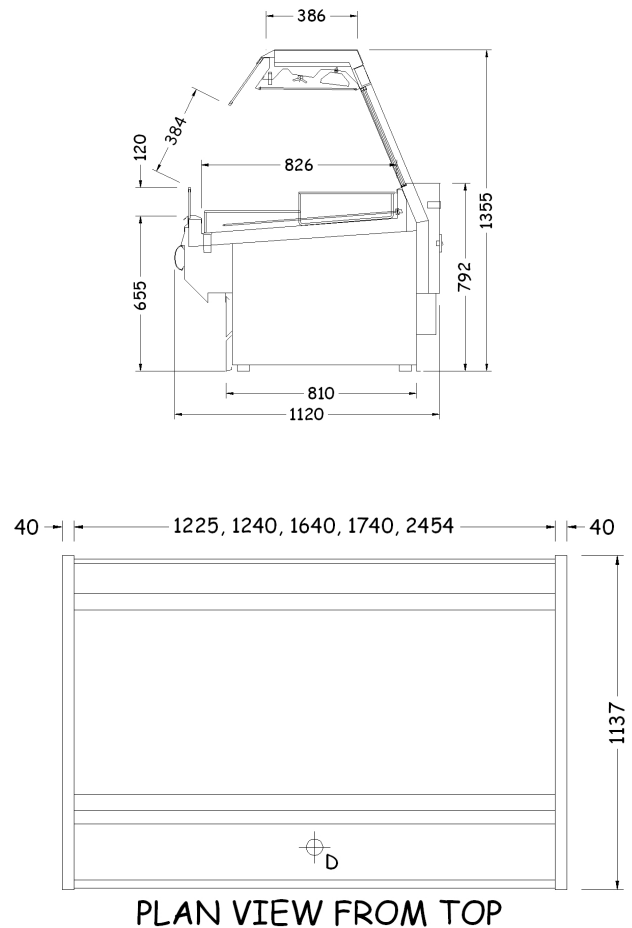
Introduction

The NEGCH (Hot) is a single-deck self-serve hot food case. It is a dry case suitable for packaged food. These cases can be made to any length and different base heights.

Standard Features and Options

	Standard	Optional
Toughened Self Serve Glass	✓	
Large Rear Sliding Doors	✓	
Dividers		✓
Knife / Tong Holder		✓
Paper Basket / Dispenser		✓
Stainless Rear Ledge		✓
Black Vinyl Cart Bumper	✓	
Stainless Steel Canopy	✓	
Digital Thermometer rear of case	✓	
External Painted Panels	✓	
External Stainless Panels		✓
Canopy Cooling Fans	✓	
Canopy Ceramic Heaters & Heat Lamps	✓	
Choice of Colours		✓
Deck Elements	✓	
Canopy Lighting	✓	
Control Panel in Rear of Case	✓	
Deck and Canopy Controlled Separately	✓	
Sloping Deck	✓	
Double Glazed Ends		✓
Bright Stainless Ends		✓
Plinth Lighting		✓
Stepped Stainless Steel Deck Rack	✓	

Dimensions



Also Available

NEGCH (Deli)
NEGCH (Fish)

Dimensions and Features are subject to change. Please obtain current information prior to order confirmation.

Note: We reserve the right to change or revise specifications and product design in connection with any feature of our products. Such changes do not entitle the buyer to corresponding changes, improvements, additions or replacements for equipment previously sold or shipped.