

Hussmann Self-Service Island Case (RIC-02)

A complete shop-around cabinet suitable for merchandising a variety of products, particularly gourmet foods.



RIC-02 – Refrigerated Multi-Deck Island Display

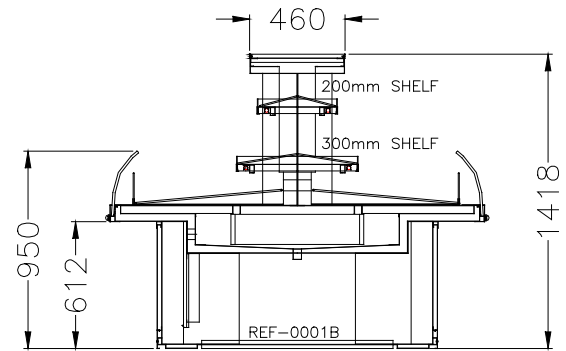
Introduction

The RIC-02 is a 2 or 3-tier, island merchandiser. It can be used for merchandising a variety of products, particularly gourmet foods. It has curved low plexiglass, with round corners. This allows for excellent visual presentation and easy customer access to all levels. The case width is standard, but case length is variable.

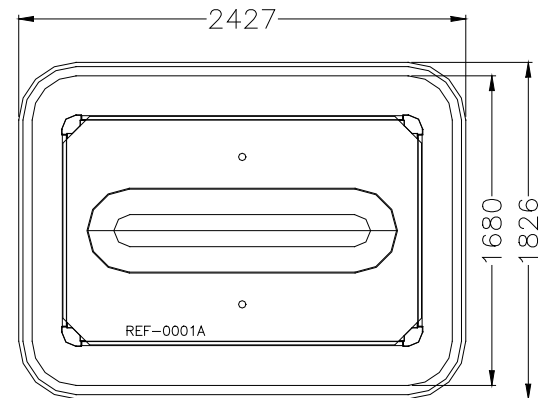
Standard Features and Options

	Standard	Optional
External Painted Panels	✓	
Internal Painted Panels		✓
Stainless Steel Internal Panels	✓	
Curved Plexiglass 150mm	✓	
Curved Plexiglass 250mm		✓
Horizontal Fixed Position Shelves	✓	
Angled Shelf Racks	✓	
Perspex Shelf Fences	✓	
Shelf Lighting	✓	
Canopy Lighting	✓	
Angled Deck Rack	✓	
Black Vinyl Cart Bumper	✓	
Stainless Steel Pressure Foamed Tub	✓	
Forced Draft Coils	✓	
Solar Thermometer		✓
Electric Box lower Access	✓	
Choice Of Colours		✓
Remote Unit	✓	
Integral Unit		✓
Suction Stop installed		✓

Dimensions



END VIEW



Also Available

RIC-04 (3.6m x 1.8m)

Dimensions and Features are subject to change. Please obtain current information prior to order confirmation.

Note: We reserve the right to change or revise specifications and product design in connection with any feature of our products. Such changes do not entitle the buyer to corresponding changes, improvements, additions or replacements for equipment previously sold or shipped.