

Hussmann Sushi Preparation Cabinet (NES-I/R)

A multi-purpose refrigerated display case, which meets 3M1 conditions. The self-serve display area is deep, and can hold more than one level of sushi packs.



NES-I/R - Sushi Preparation and Display Cabinet

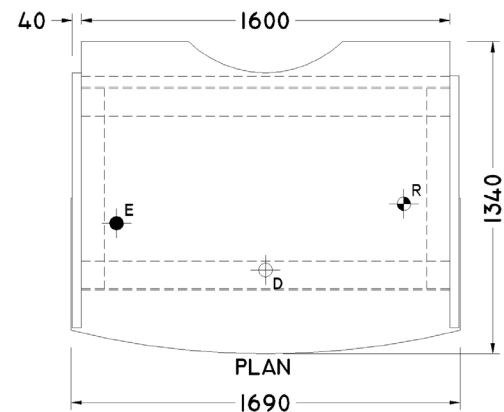
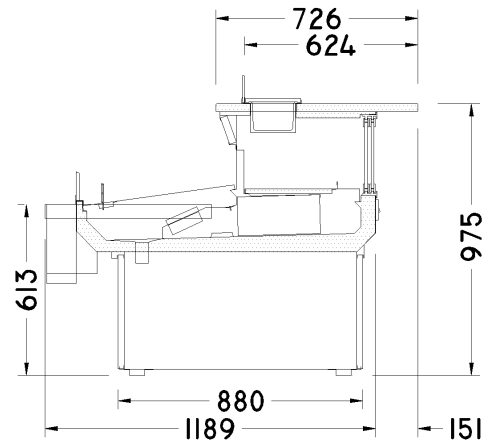
Introduction

The NES-I/R is a multi-purpose refrigerated display case, which meets 3M1 conditions. It can stand out in the general floor area, or be in the serviced line.

The self-serve display area is deep, and can hold more than one level of sushi packs. The storage area will hold all ingredients at correct refrigerated temperatures. The preparation area has chilled pottles for ingredients, and a granite working surface for durability and appearance.

Depending on requirements, the case can be supplied with an integral condensing unit, or it can be connected to a remote plant room.

Dimensions



Standard Features and Options

	Standard	Optional
Self Serve	✓	
Product Preparation		✓
Granite Work Top	✓	
External Painted Panels		✓
Wooden Veneer		✓
External Sainless Panels		✓
Stainless Pottles		✓
Black Vinyl Bumper to 3 sides	✓	
Internal Lighting	✓	
Choice of colours	✓	

Dimensions and Features are subject to change. Please obtain current information prior to order confirmation.

Note: We reserve the right to change or revise specifications and product design in connection with any feature of our products. Such changes do not entitle the buyer to corresponding changes, improvements, additions or replacements for equipment previously sold or shipped.