

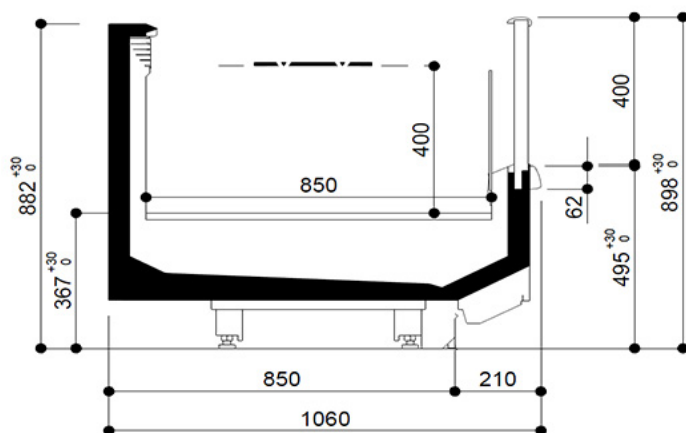
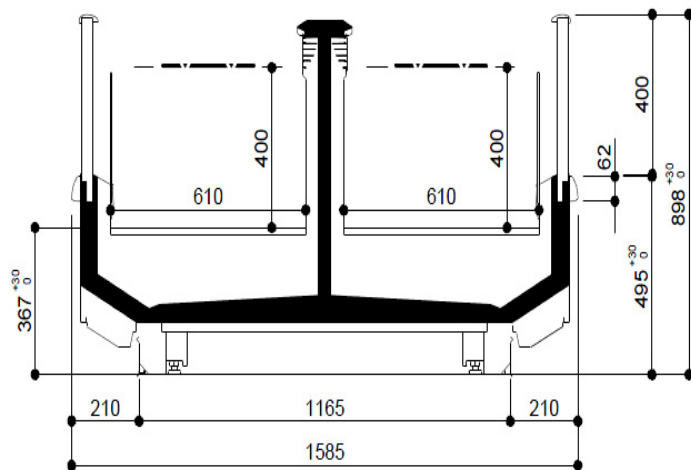
ICE Range



GHN64 Island Freezer

Self-Service Narrow Double Island Freezer

GHN64



Available Lengths (excluding Ends)

1875mm 2500mm 3750mm

Features

The GHN64 offers flexibility in that it can accommodate either chilled or frozen foods.

Load capacity is increased by 13% compared to previous models, with energy efficiency boosted by 20% reduction in energy consumption.

Two part design for a double wide island display. Continuous bumper and optional lighting in the handrail give improved look and visibility.

A hidden kick-plate is included to eliminate unsightly joints for a better finish.

Standard

- Product depth 400mm
- Forced draft coils
- Adjustable base racks

Benefits

- Increased internal volume with improved depth
- Up to 20% energy saving
- Improved aesthetics with cleaner lines
- Optimisation of floor space
- Easy access for service/maintenance
- Modular design allows for easier store access

Options

- Glass sliding lids with lid locks
- Price profile kit (includes 2 sided, 3 level Ticket Turret and A4 signs)
- D or E Line Bumper
- LED lighting
- Nightblinds

Also Available

- GHN74 (Double island)
- GHN70 (Solid sided)
- GCN38 (Wall cabinet)



Additional Information

Dimensions and features are subject to change. Please obtain current information prior to order confirmation.

NOTE: We reserve the right to change or revise specifications and product design in connection with any feature of our products. Such changes do not entitle the buyer to corresponding changes, improvements, additions or replacements for equipment previously sold or shipped.

HUSSMANN®

McAlpine Hussmann

2-6 Niall Burgess, Mt Wellington
Auckland 1060
Ph: 0800 473374

www.mcalpinehussmann.com