

Specialty

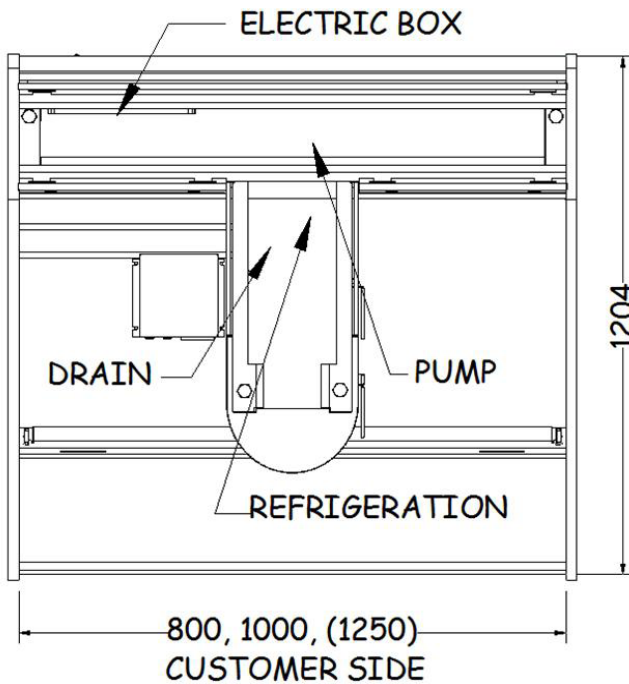
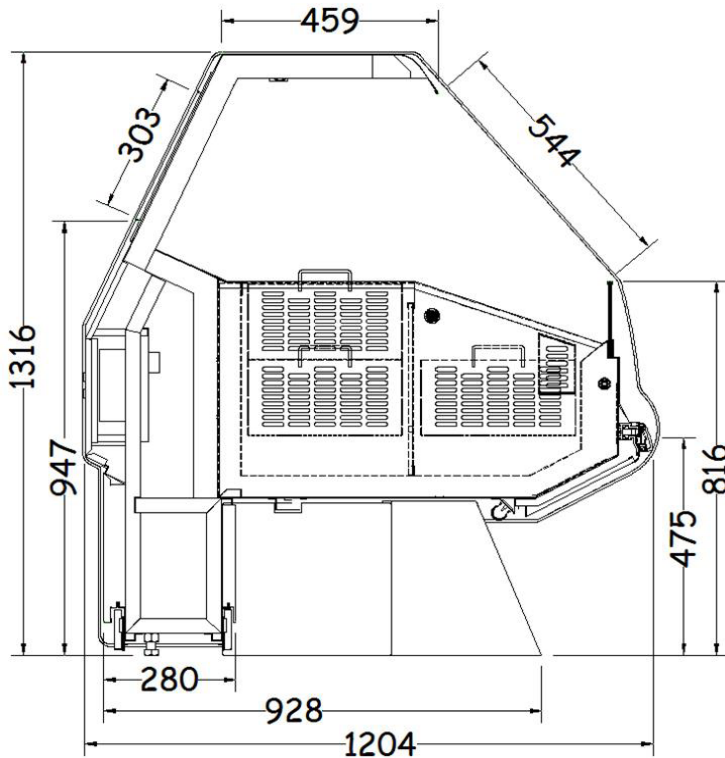


---

## ID2-MCT

Self-Service Tidal Mussel Cabinet

## ID2-MCT



### Features

The ID2-MCT is a self-service refrigerated shellfish display cabinet. Its success derives from the simulated tidal action, which helps to prolong the life of the product. The product is kept in separate baskets and can be varied between mussels, pipis and other selections.

Cabinet lengths are variable, and base frame heights can be altered on request.

This cabinet is also available as a wall model, with all service access from the lower front panels. It is available in standard base or  $\frac{1}{3}$  base pedestal options.

### Standard

- External painted stainless steel panels
- Stainless steel pressure foamed tub
- Toughened front glass
- Double glazed rear sliding doors
- Canopy lighting
- Electric box lower rear access
- Stainless steel baskets

### Options

- External brush finish stainless steel panels
- Stainless steel 316 panels
- Front access for controls
- Canopy mounted bag-roll holder
- Tong holder
- Bumper colour
- General power outlet
- Pedestal lighting
- Solid base
- $\frac{1}{3}$  Base / Pedestal

### Also available

ID2-D	Deli
ID2-F	Fish
ID2	Fish Wedge
ID2-HS	Hot Food
ID2-MRH	Hot Food
ID2-P	Deli
ID2-SSM	Shellfish
ID2	Sushi

### Additional Information

Dimensions and features are subject to change. Please obtain current information prior to order confirmation.

NOTE: We reserve the right to change or revise specifications and product design in connection with any feature of our products. Such changes do not entitle the buyer to corresponding changes, improvements, additions or replacements for equipment previously sold or shipped.

**HUSSMANN®**

McAlpine Hussmann

2-6 Niall Burgess, Mt Wellington

Auckland 1060

Ph: 0800 473374

[www.mcalpinehussmann.co.nz](http://www.mcalpinehussmann.co.nz)