

## Specialty

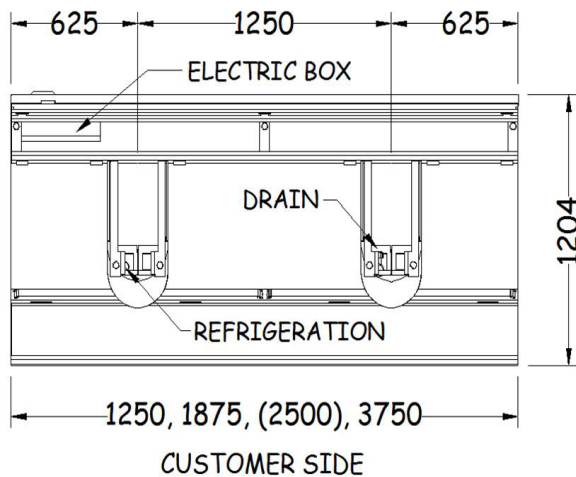
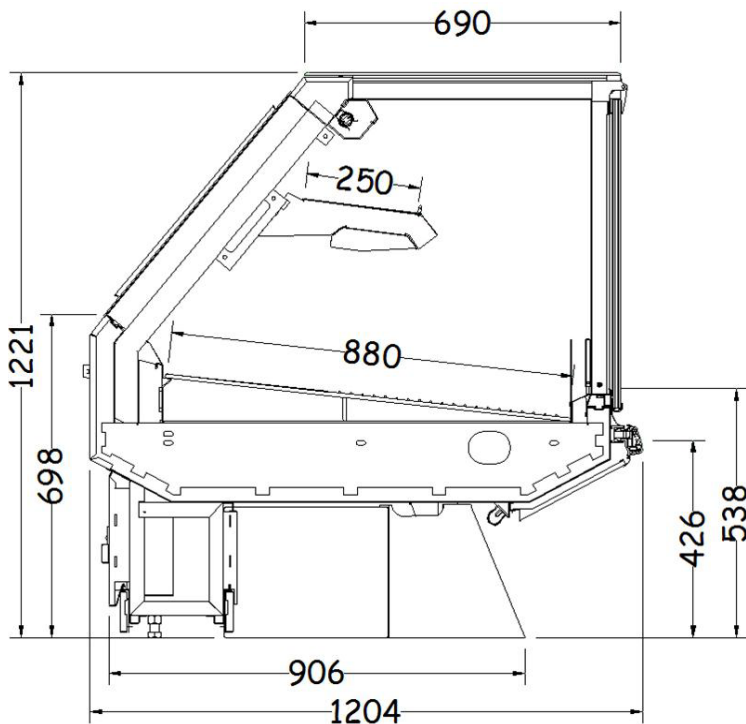


## ID2BL-D

Service Deli / Meat Display Cabinet with Square Front Glass

# Service Deli/Meat Cabinet with Square Front Glass

## ID2BL-D



### Available Lengths (excluding Ends)

### Also Available

ID2-F	Fish	ID2-MRH	Hot Food
ID2	Fish Wedge	ID2-P	Deli
ID2-HS	Hot Food	ID2-SSM	Shellfish
ID2-MCT	Shellfish	ID2	Sushi

### Features

The ID2BL-D is a forced draft refrigerated display cabinet which can be set up for either deli or meat applications. With an angled deck for improved display, the cabinet can be fitted with a display shelf and features square double glazed lift up glass.

Cooling is from a combination of gentle forced draft air and an optional overhead gravity coil. This provides gentle cooling with low dehydration levels, resulting in longer product life.

Cabinet lengths are variable, and base frame heights can be altered on request. Base frames can be solid or pedestal style.

### Temperature Class

- 3M0 - Meat
- 3M1 - Deli

### Benefits

- Increased sales
- Extended product life
- Energy cost reduction
- Temperature compliance (MEPS)
- Excellent product presentation
- Lighting optimisation
- Maximisation of floor space
- Minimum life cycle cost
- Environmental and EHS commitment
- Easy cleaning and product loading from front

### Standard

- External painted panels
- Pedestal base
- Stainless steel internal panels
- Stainless steel pressure foamed tub
- Toughened lift-up double glazed glass
- Double glazed sliding doors
- Deck racks
- Canopy lighting

### Options

- External stainless steel panels
- Solid base
- Pedestal lighting
- Canopy gravity coil
- Non-reflective lift-up double glazed glass

### Additional Information

Dimensions and features are subject to change. Please obtain current information prior to order confirmation.  
NOTE: We reserve the right to change or revise specifications and product design in connection with any feature of our products. Such changes do not entitle the buyer to corresponding changes, improvements, additions or replacements for equipment previously sold or shipped.

# HUSSMANN®

### McAlpine Hussmann

2-6 Niall Burgess, Mt Wellington  
Auckland 1060  
Ph: 0800 473374

[www.mcalpinehussmann.co.nz](http://www.mcalpinehussmann.co.nz)