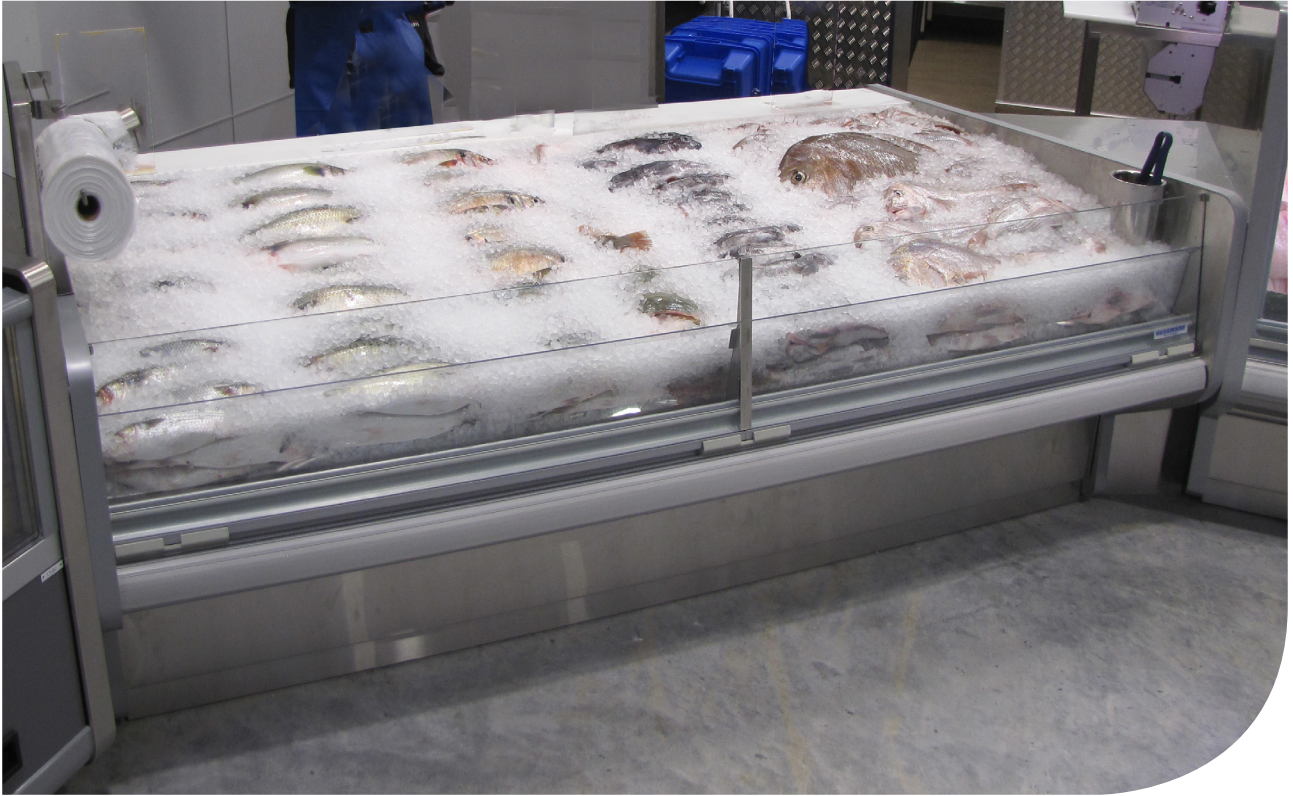


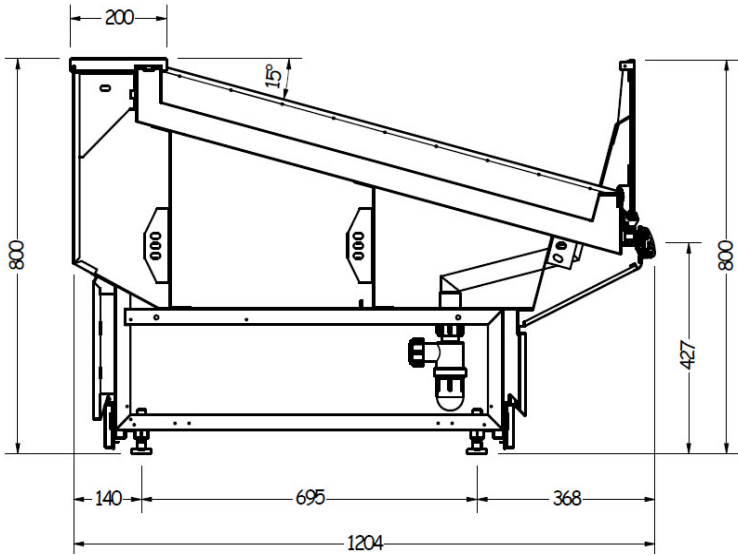
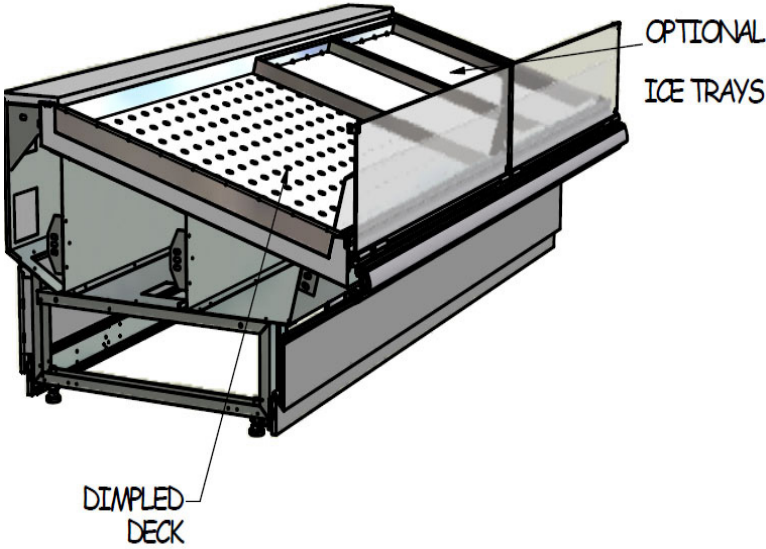
Specialty



ID3BL-Ice Deck

Serviced Ice Deck for Whole Fish

ID3BL-Ice Deck



Available Lengths (excluding Ends)

1250mm 1875mm 2500mm 3750mm

Features

This is a non-refrigerated ice deck which is designed to display whole fish, when displayed on an ice bed.

The serviced cabinet allows the customer to become involved with the product display, and promotes interaction between the customer and the service attendant.

Displays usually have a bed of flake ice to ensure fish presentation is optimised.

Standard

- External brushed stainless steel
- Internal stainless steel
- Open drain pipe
- Glass upstand
- Rear work bench

Options

- Ice trays

Also Available

- ID3BL-BS Bakery
- ID3BL-D Deli
- ID3BL-F Fish
- ID3BL-H Hot Food

This range of cabinets is designed and manufactured by McAlpine Hussmann Tauranga



Additional Information

Dimensions and features are subject to change, Please obtain current information prior to order confirmation.
 NOTE: We reserve the right to change or revise specifications and product design in connection with any feature of our products. Such changes do not entitle the buyer to corresponding changes, improvements, additions or replacements for equipment previously sold or shipped.



McAlpine Hussmann

2-6 Niall Burgess, Mt Wellington
 Auckland 1060
 Ph: 0800 473374

www.mcalpinehussmann.co.nz