

KEEP COOL® *Combi*

The stylish all-glass lids for combi freezers

Glass Solutions for
Commercial Refrigeration **BEHR**



The customer-friendly lids from Behr ensure a constant temperature in the freezer. The system is customised to fit on all existing combi freezers.

KEEP COOL® Combi

The stylish all-glass lids for combi freezers

Glass Solutions for
Commercial Refrigeration **BEHR**

KEEP COOL® Combi product details:

Product Info

- Stylish all-glass design
- Integrated aluminum handrail
- Integrated price label system
- Customised LED system (optional)

Application

- Customised to fit on all combi models

Materials

- 4 mm, single layer, tempered low-e safety glass panels
- PVC parts available in RAL 7015 or 7046
- RoHS compliant

KEEP COOL® Combi
patent pending

About Behr A/S

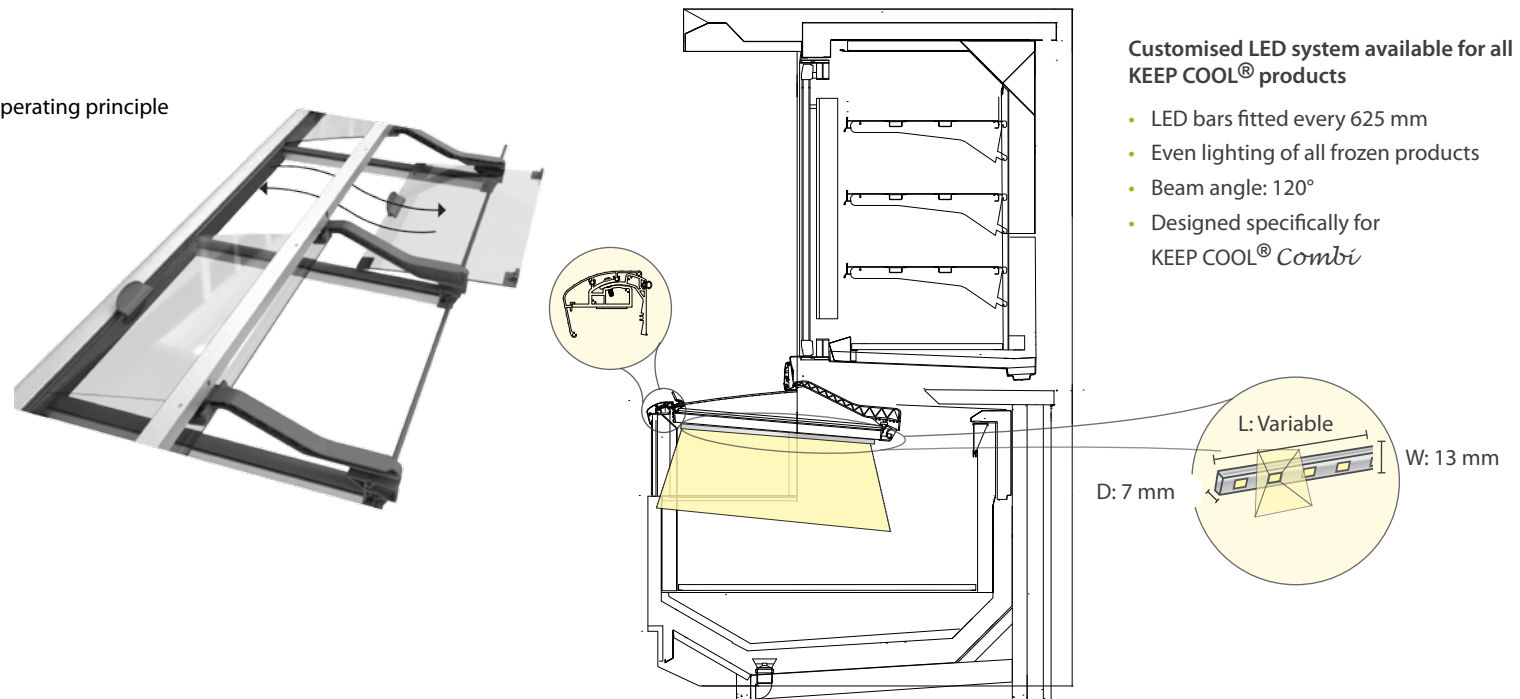
Founded in 2002 by members of the Behr family, the company now employs 60+ people in its development and production facilities in the area of Hadsten in the central part of Jutland in Denmark.

Focusing on high quality and functional design, Behr A/S has established itself as the leading company in the glass solutions sector, while focusing on a growth by innovation strategy.

Feb 2011

KEEP COOL® Combi – the retrofit solution for all combi freezers

Operating principle



Discrete and elegant solution,
specifically designed for combi freezers



Excellent product display



"One-Glass-Only"



Integrated aluminum handrail