

KEEP COOL® *Plane*

The original push-pull lids for freezer islands

Glass Solutions for
Commercial Refrigeration

BEHR



The customer-friendly lids from Behr ensure a constant temperature in the freezer.
The system is customised to fit on all existing islands.

KEEP COOL® Plane

The original push-pull lids for freezer islands

Glass Solutions for
Commercial Refrigeration **BEHR**

KEEP COOL® Plane product details:

Product Info

- Unrestricted access to the entire island at all times
- 4 low friction sliding points on each glass panel for effortless gliding action
- Customised price label system (optional)
- Dedicated LED system (optional)

Application

- Customised to fit on all existing islands (with parallel top edges)
- OEM solutions available upon request

Materials

- 4 mm, single layer, tempered low-e safety glass panels
- Available in RAL 7015 or 7046 plastic parts
- Anodised aluminium price profile
- RoHS compliant

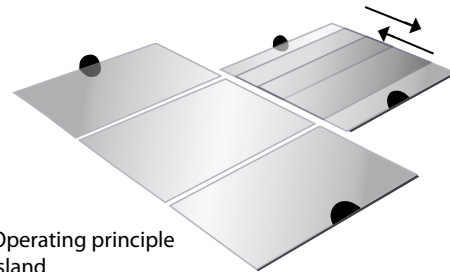
About Behr A/S

Founded in 2002 by members of the Behr family, the company now employs 60+ people in its development and production facilities in the area of Hadsten in the central part of Jutland in Denmark.

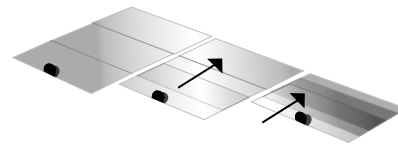
Focusing on high quality and functional design, Behr A/S has established itself as the leading company in the glass solutions sector, while focusing on a growth by innovation strategy.

Feb 2011

KEEP COOL® Plane – The patented push-pull lids



Operating principle
Island



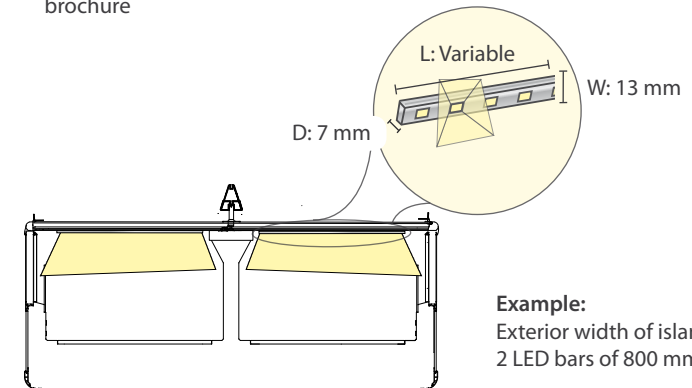
Operating principle
End unit

Price profiles available:
One level and three levels
One-sided or two-sided



Customised LED system available for all KEEP COOL® products

- LED bars fitted on every cross profile (every 625 mm)
- Even lighting of all products
- Beam angle: 120°
- Designed specifically for KEEP COOL® Plane
- For additional information, we refer to the Behr LED systems brochure



Example:

Exterior width of island of 1800 mm =
2 LED bars of 800 mm (Total 20 W)



Easy access



The original "push-pull" lids



LED (optional)



Price label system (optional)