

Specialty



MMI

Self-Service Mobile Mussel Cabinet with Overhead Spray

Self-Service Mobile Mussel Cabinet

MMI



Features

This mobile cabinet uses water spray from overhead nozzles to keep the shellfish wet. This spray can be switched off by the customer for self-service.

The cabinet has a piped tub and is supplied with an integral condensing unit.

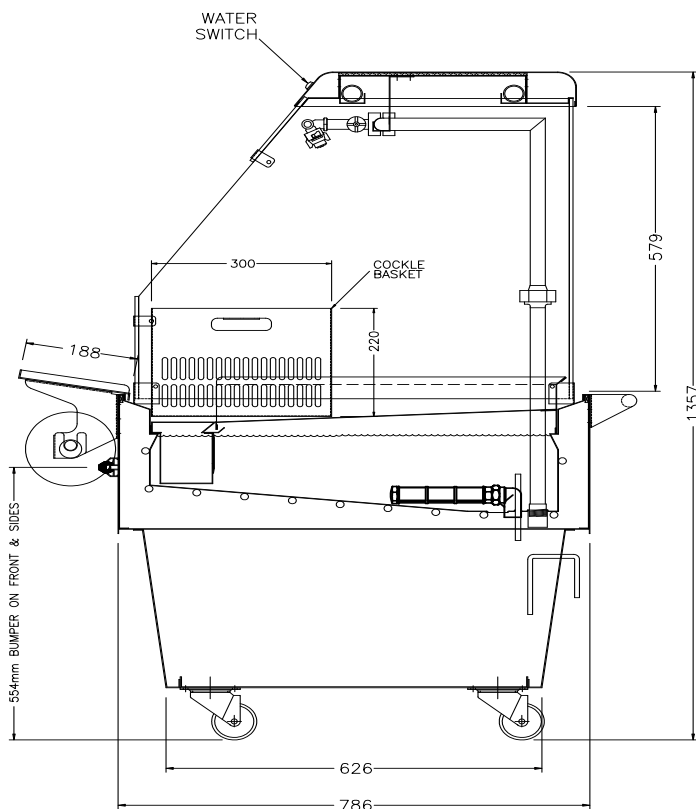
The sides and back are toughened glass for increased visibility, and allows the cabinet to be in any position in the store.

Standard

- Self-service
- External brushed stainless steel panels
- Stainless steel canopy
- Internal stainless steel panels
- Canopy lighting
- Overhead spray system
- Plastic bag dispenser

Options

- External painted panels
- Choice of colours
- Pipi basket



Available Lengths

700mm 1200mm



Additional Information

Dimensions and features are subject to change. Please obtain current information prior to order confirmation.

NOTE: We reserve the right to change or revise specifications and product design in connection with any feature of our products. Such changes do not entitle the buyer to corresponding changes, improvements, additions or replacements for equipment previously sold or shipped.

HUSSMANN®

McAlpine Hussmann

2-6 Niall Burgess, Mt Wellington
Auckland 1060
Ph: 0800 473374

www.mcalpinehussmann.co.nz