

Specialty

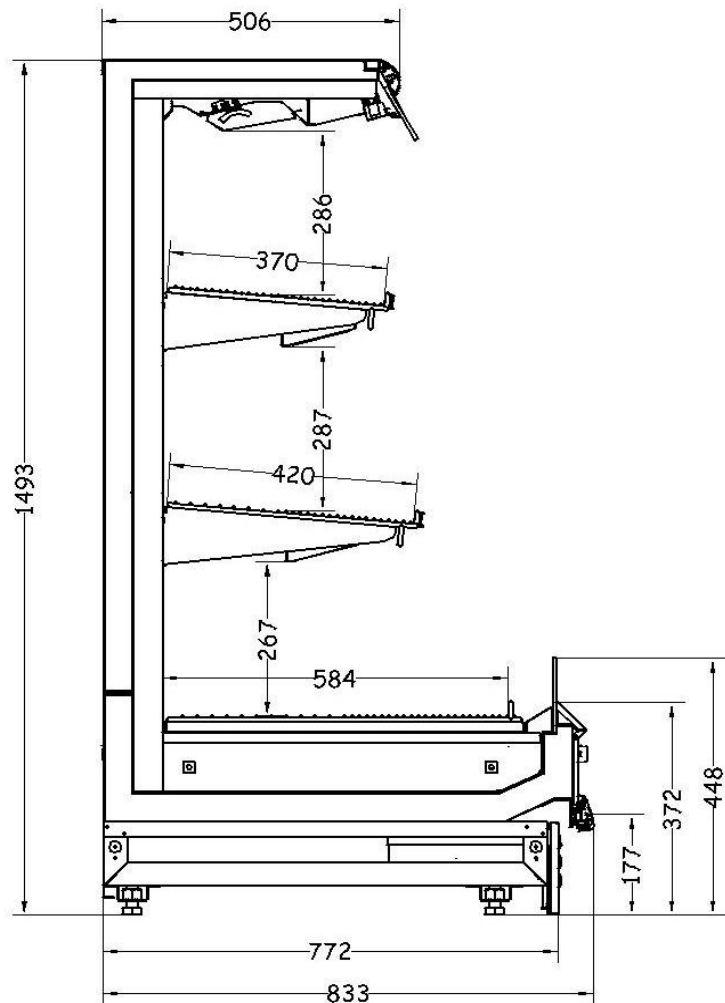


SMH1500

Self-Service Hot Display Cabinet - 3 or 4 Tier

Self-Service Hot Display Cabinet - 3 or 4 Tier

SMH1500



Also Available (excluding Ends)

938mm 1250mm 1875mm 2500mm

Features

The SMH1500 is a self-service hot display cabinet.

It is available as 3-tier or 4-tier and is suitable for merchandising a variety of single layer, packaged hot food.

This style cabinet is available in various lengths and can be supplied to fit into an SMD1500 refrigerated cabinet line-up or in an island format, and will be especially visible as a crown end cabinet.

Standard

- External painted panels
- Stainless steel internal panels
- Solid mirrored Ends
- Canopy Lighting
- Shelf Lighting
- Electric box front lower access
- Shelf radiant heating

Options

- External brushed stainless steel
- Double glazed view ends
- Crown end moulded ends
- Choice of colours
- Tong Holder
- Paper Bag Dispenser

Also Available

SMH1400 Hot Food



Additional Information

Dimensions and features are subject to change. Please obtain current information prior to order confirmation.

NOTE: We reserve the right to change or revise specifications and product design in connection with any feature of our products. Such changes do not entitle the buyer to corresponding changes, improvements, additions or replacements for equipment previously sold or shipped.

HUSSMANN®

McAlpine Hussmann

2-6 Niall Burgess, Mt Wellington

Auckland 1060

Ph: 0800 473374

www.mcalpinehussmann.co.nz