

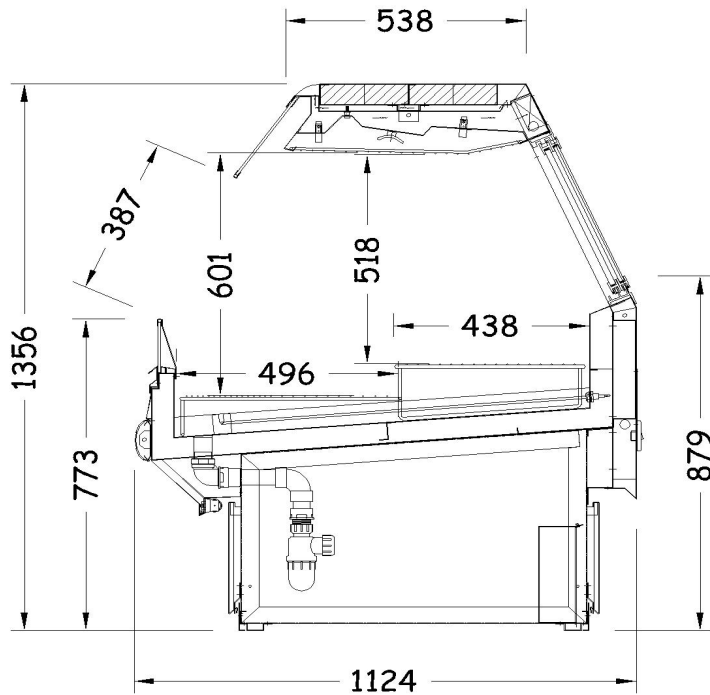
Specialty



SOC-HS

Service or Self-Service Hot Food Display Cabinet

SOC-HS



Features

The SOC-H is a large hot food display cabinet which is suitable for packaged merchandise.

The cabinet is available in either self-service or service options.

The display rack is stepped to help separate product and improve display. Special display options can be provided.

Cabinet lengths are variable and base frame heights can be altered on request.

Standard

- External painted panels
- Internal bright stainless steel
- Deck elements
- Large rear sliding door
- Toughened self-serve glass
- Canopy ceramic heaters and heat lamps
- Digital thermometer rear of cabinet

Options

- External brushed stainless steel
- Tong holder
- Dividers
- Bumper colour
- Choice of colour
- Pedestal base
- Pedestal lighting

Also available

SOC-D	Service Deli/ Meat
SOC Box Fish	Service Fish
SOC-MCT	Self-Service Mussel
SOC-SSM	Self-Service Mussel



Additional Information

Dimensions and features are subject to change. Please obtain current information prior to order confirmation.

NOTE: We reserve the right to change or revise specifications and product design in connection with any feature of our products. Such changes do not entitle the buyer to corresponding changes, improvements, additions or replacements for equipment previously sold or shipped.

HUSSMANN®

McAlpine Hussmann

2-6 Niall Burgess, Mt Wellington
Auckland 1060
Ph: 0800 473374

www.mcalpinehussmann.co.nz